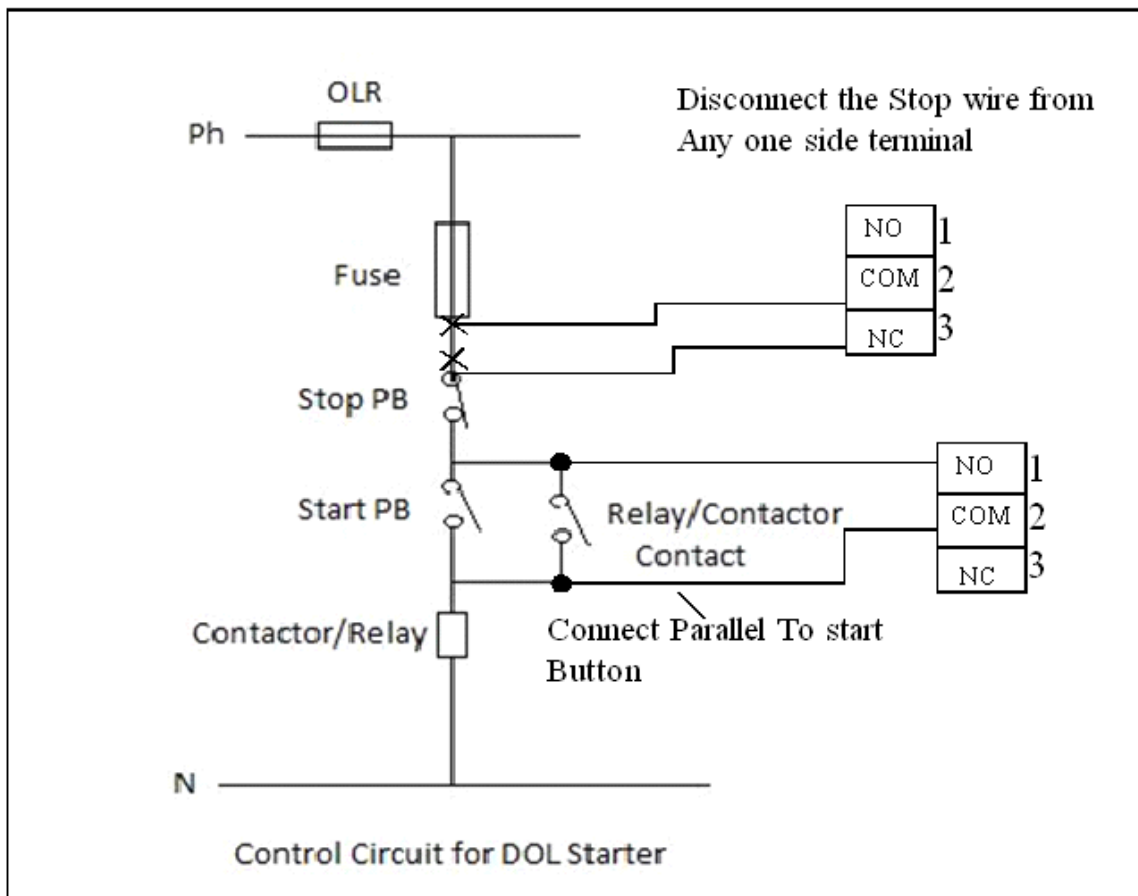


How to install the GSM Motor Control To Your Existing Starter

1. In GSM Motor Control Board 1 St relay is Start relay, 2 nd Relay is Stop Relay .
2. Connect Start Relay NO Contact in parallel to Start Button
3. Disconnect any one side of Stop Button as per Diagram Given Below
4. Connect in series as Per diagram - To Normally Closed

Operation

- If you send SMS as ON then Relay RLY1 will go ON for 5 secs. Now the START button of Motor is pressed & Pump will go On ,as the Circuit is closed.
- If you send SMS as OFF ,then RLY2 Will Go On for 5 Sec Then NC will be Open & Pump Will Go Off (Circuit Open)



Step 1 – How To Store Your Mobile No

Send SMS to the Mobile No which is used in Control Board - STNXXXXXXXXXX (Without Any Space)

You Will receive the SMS - NUMBER CHANGED

Then Try Calling the same NO - If Call Disconnected RLY 1 will be On for 5Sec

After PUMP ON You Will receive Message PUMP ON

Then Try Calling the same NO - If Call Disconnected RLY 2 will On For 5Sec

PUMP Will Go OFF SMS will be received PUMP OFF

While Power Up SMS will recived POWER UP PUMP OFF***COMMON CONTROLLER COMMANDS***

- STNxxxxxxxxxx - To Store Master Number. –

For Example SMS – STN9945263589

- STS - To Get the Status of the device.

For Example SMS – STN9945263589

- OWN – Messages from Only Registered Number

For Example SMS – OWN

- ANY – Messages Form Any Number.

For Example SMS – ANY

PUMP ON/OFF (MODE - 1)

ON - PUMP ON

For Example SMS – ON

- Send SMS - ON

For Example SMS – OFF

ON/OFF – With Registered Mobile No Also.